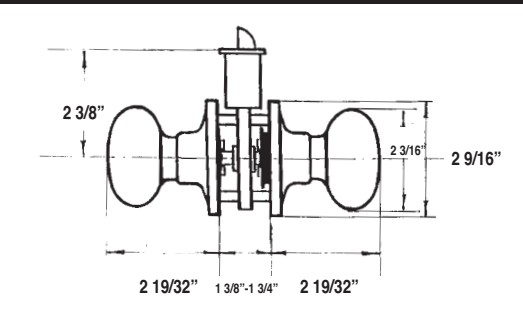
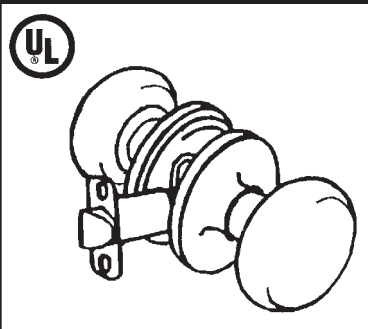


# BETTER HOME PRODUCTS

## U.L. LISTED NOE VALLEY V COLLECTION (3-Hour Fire Rating) UL52,000 SERIES – MUSHROOM KNOB DESIGN – SATIN NICKEL FINISH

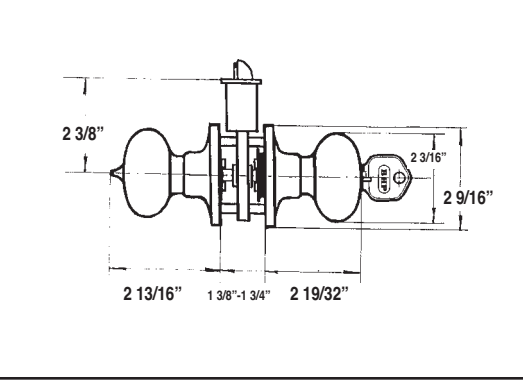
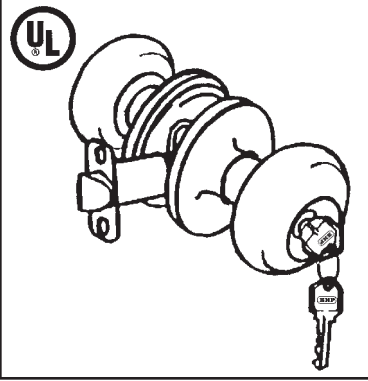


### **BHP** Item #UL52115SN - Passage Set

Grade III tubular passage set, constructed from zinc dichromate-plated steel inner components and lacquer-coated brass outer components. Stainless steel tongue, latch face and strike. U.L. approved 3-hour fire rating. (U.L. Control #8ZA6)

#### **Additional Hardware Included:**

- \* 1 pc. 2 1/4" x 1 3/4" radius-corner, full-lip strike plate
- \* 1 pc. all-metal, adjustable spring latch with 2 3/8"- 2 3/4" backset and 1/4" radius-corner latch face
- \* 4 pcs. #8 x 3/4" wood screws and 2 pcs. 1 1/8" machine screws



### **BHP** Item #UL52515SN - Entry Set

Grade III tubular entry set, constructed from zinc dichromate-plated steel inner components, solid brass cylinder plug and lacquer-coated brass outer components. Stainless steel tongue, latch face and strike. U.L. approved 3-hour fire rating. (U.L. Control #8ZA6)

#### **Additional Hardware Included:**

- \* 1 pc. 2 1/4" x 1 3/4" radius-corner, full-lip strike plate
- \* 1 pc. all-metal, adjustable dead-locking latch with 2 3/8" - 2 3/4" backset and 1/4" radius-corner latch face
- \* 4 pcs. #8 x 3/4" wood screws and 2 pcs. 1 1/8" machine screws
- \* 2 pcs. homeowner keys



